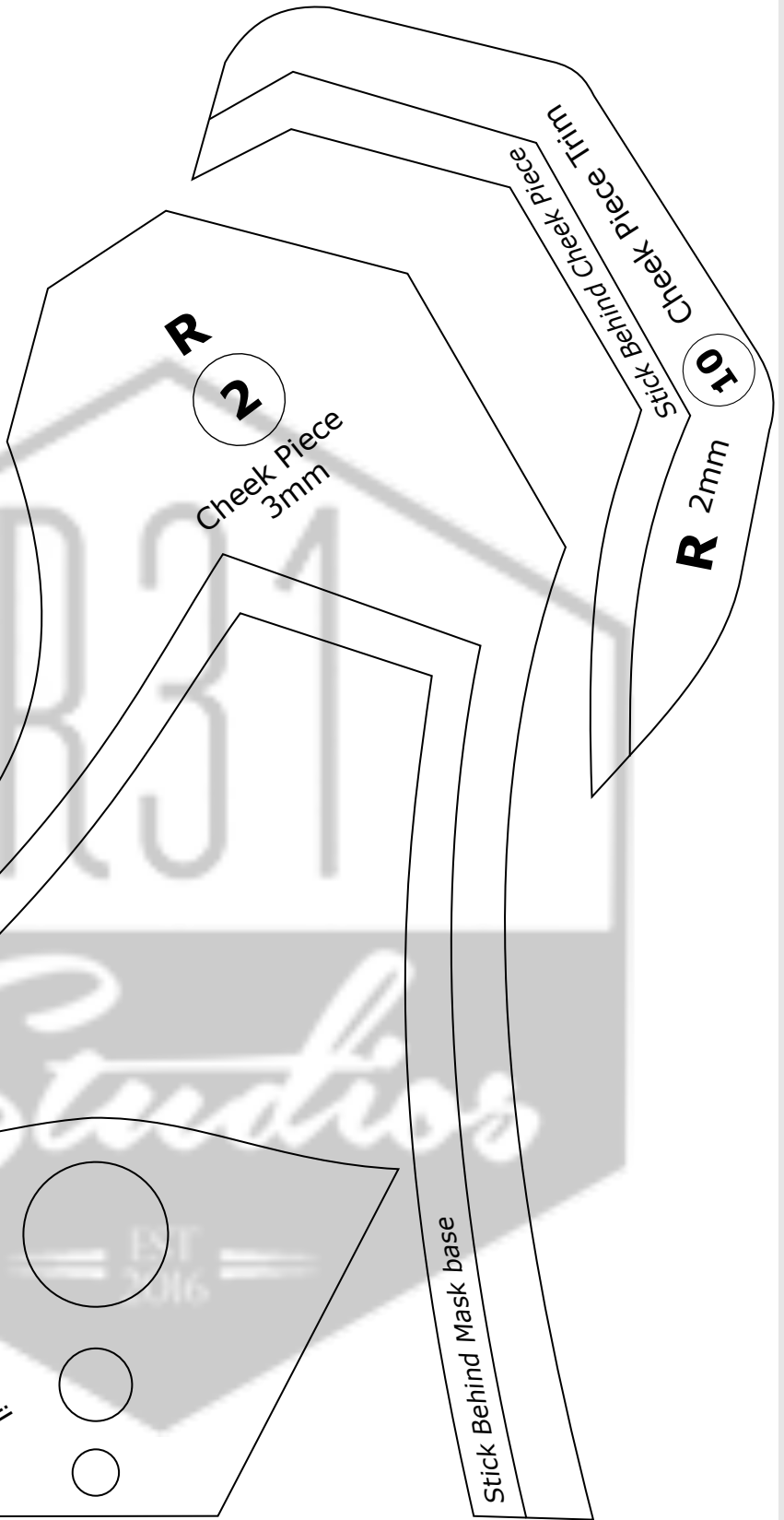
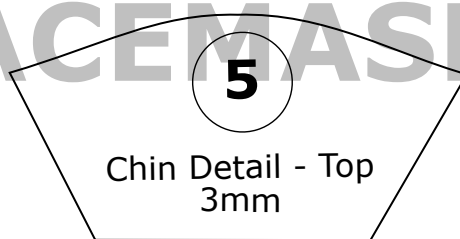
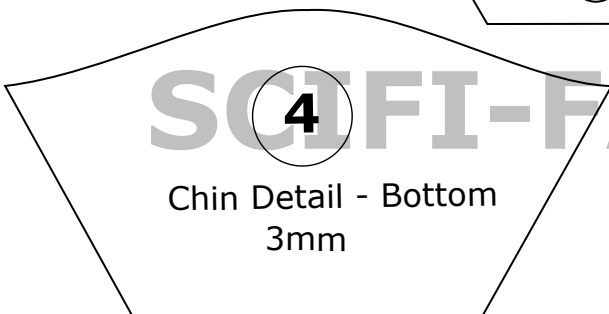
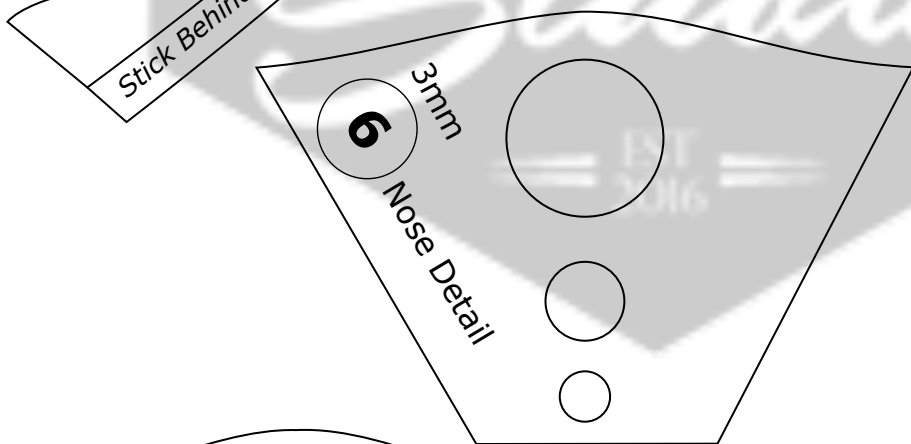
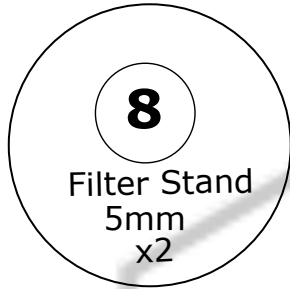
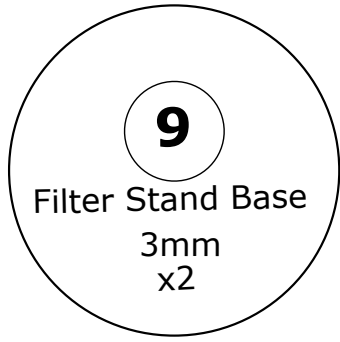


Pieces Marked 'R' Make one side of the mask, flip piece over to make other side



Pieces Marked 'R' Make one side of the mask, flip piece over to make other side