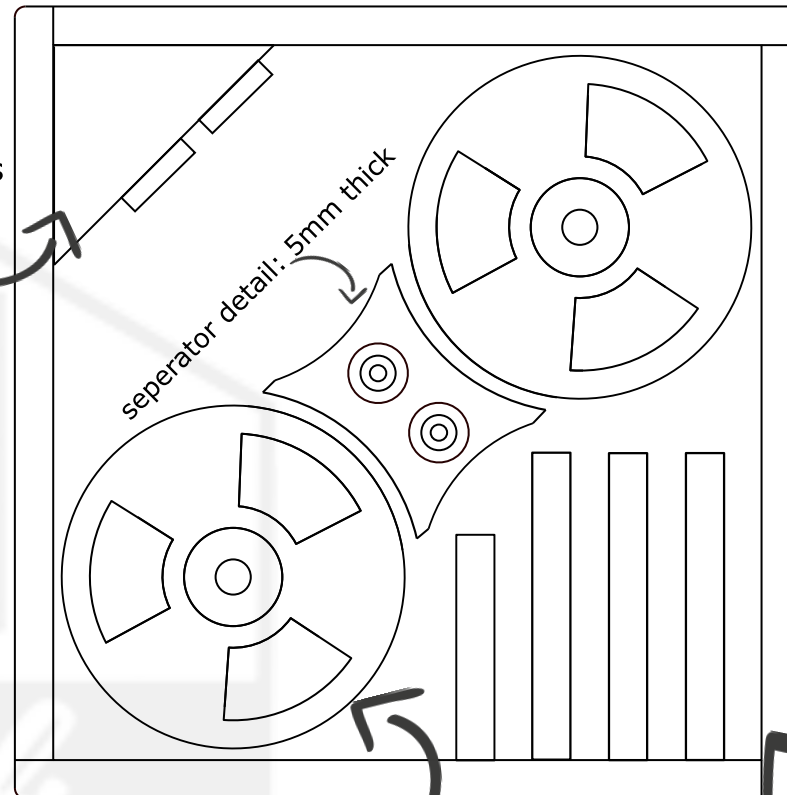
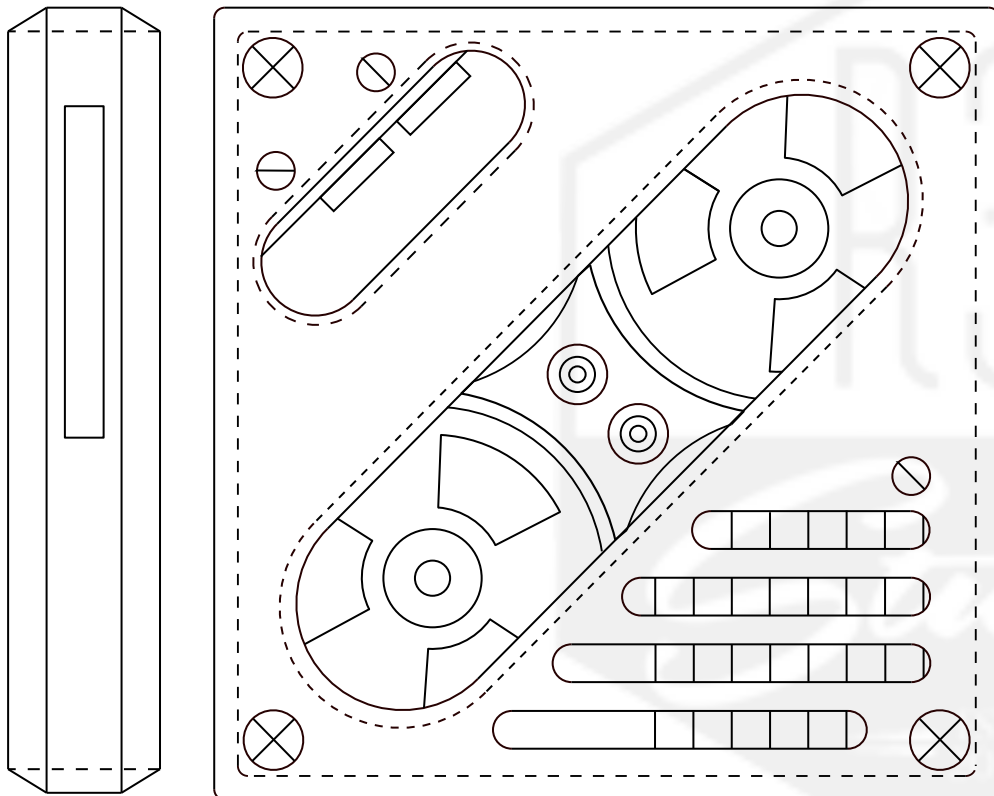


Top and bottom squares made using 5mm foam

x 3 side panels: 5mm thick 100mm x 10mm

x 1 side panel

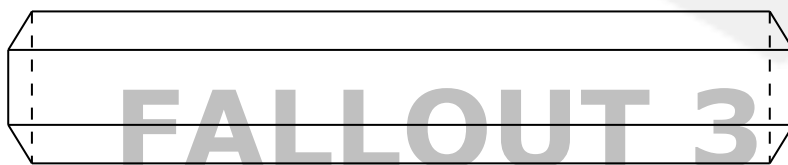
Insert a 10mm thick triangle piece with 5mm x 10mm panels of 2-3mm foam.



Internals plan view.

Disks are made with a 5mm solid base & a 3mm cut-out top. (can use 2-5mm if needed). Use a rotary tool to indent the centres.

Linear details are made with 10mm thick strips. 3no at 40mm x 5mm and 1no at 30mm x 5mm.



FALLOUT 3 HOLODISK

Screws and fixings are of 2-3mm foam.

Depending on the density of your foam, you may wish to add 10mm thick internal pieces to aid rigidity of the holodisk